

# Brake Caliper DH 035 FHA

spring activated – hydraulically released



43-1

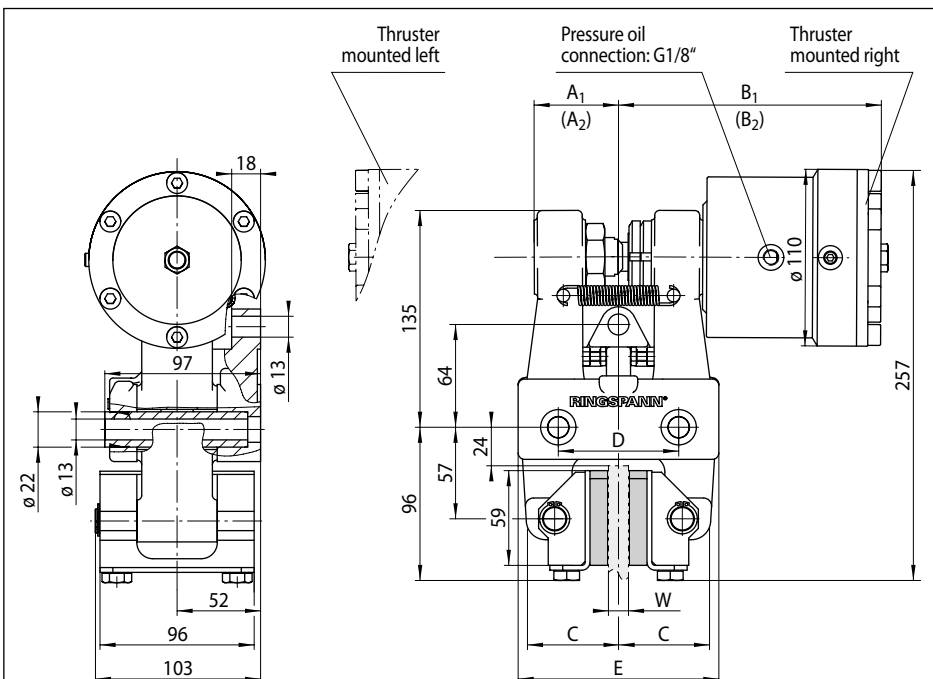
## Features

Features	Code
Brake Caliper	D
Mounting to the machine at right angles to the brake disc	H
Frame size 035	035
Spring activated	F
Hydraulically released	H
Automatic adjustment to accommodate friction block wear	A
Thruster 260	260
Thruster mounted right or left available	R L
Thickness of brake disc 12,5 mm or 25 mm	12 25

## Example for ordering

Brake Caliper DH 035 FHA, thruster 260, thruster mounted right, thickness of brake disc 12,5 mm:

DH 035 FHA - 260 R - 12



## Technical Data

Brake Caliper DH 035 FHA with thruster 260	
Brake disc diameter	Braking torque
mm	Nm
300	1500
355	1850
430	2350
520	3000
630	3600
710	4100
800	4700
Clamping force	16000 N
Oil pressure	min. 55 bar max. 120 bar
Oil volume	max. 6 cm <sup>3</sup>
Weight	14,1 kg

The braking torques shown in the diagram are based on a theoretical friction coefficient of 0,4.

Thickness of brake disc W	A <sub>1</sub>	(A <sub>2</sub> )	B <sub>1</sub>	(B <sub>2</sub> )	C	D	E
mm	mm	mm	mm	mm	mm	mm	mm
12,5	54	(68)	164	(174)	57	75	125
25	59	(73)	171	(181)	63	84	131

Values in brackets resulting with maximum friction block wear.

43-2