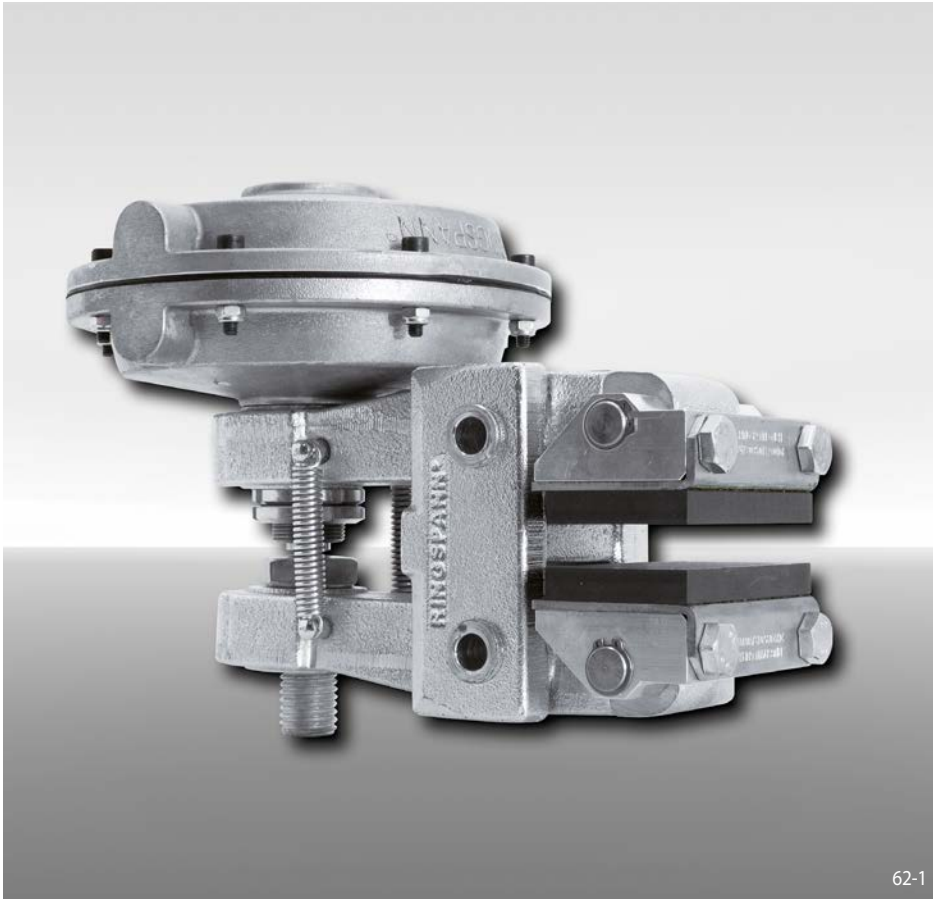


# Brake Caliper DH 035 PFM

pneumatically activated – spring released



## Features

Features	Code
Brake Caliper	D
Mounting to the machine at right angles to the brake disc	H
Frame size 035	035
Pneumatically activated	P
Spring released	F
Manual adjustment to accommodate friction block wear	M
Thrusters 635, 655 or 660 are available	635 655 660
Thruster mounted right or left available	R L
Thickness of brake disc 12,5 mm, 25 mm, 30 mm or 40 mm	12 to 40

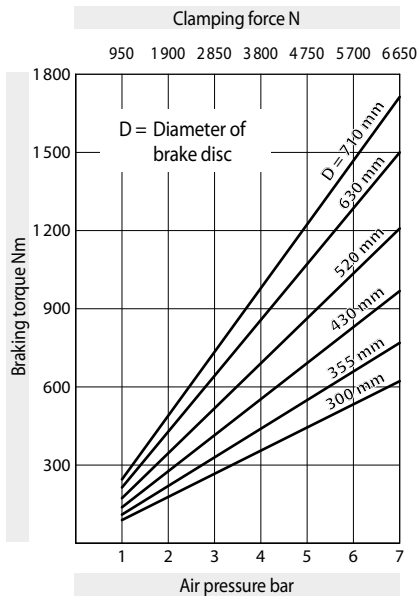
## Example for ordering

Brake Caliper DH 035 PFM, thruster 660, thruster mounted right, thickness of brake disc 12,5 mm:

DH 035 PFM - 660 R - 12

## Technical Data

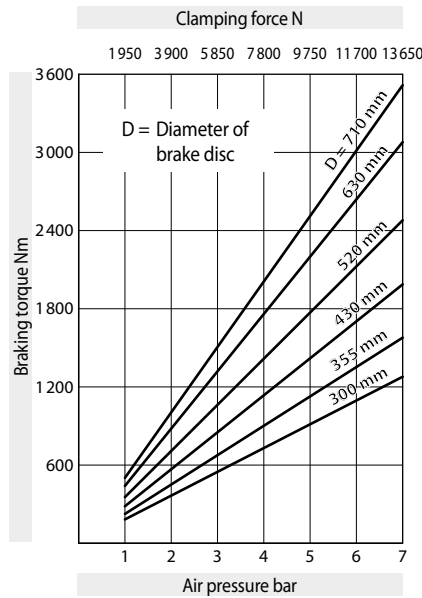
### Brake Caliper DH 035 PFM - 635



The braking torques shown in the diagram are based on a theoretical friction coefficient of 0,4.

Air pressure: max. 7 bar  
 Air volume: max. 175 cm<sup>3</sup> per activation  
 Weight: 9,1 kg

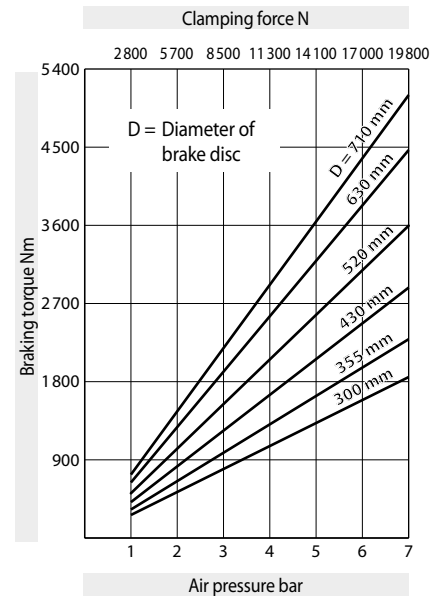
### Brake Caliper DH 035 PFM - 655



The braking torques shown in the diagram are based on a theoretical friction coefficient of 0,4.

Air pressure: max. 7 bar  
 Air volume: max. 740 cm<sup>3</sup> per activation  
 Weight: 12,3 kg

### Brake Caliper DH 035 PFM - 660



The braking torques shown in the diagram are based on a theoretical friction coefficient of 0,4.

Air pressure: max. 7 bar  
 Air volume: max. 450 cm<sup>3</sup> per activation  
 Weight: 11,4 kg

# Brake Caliper DH 035 PFM

pneumatically activated – spring released

