

# Brake Caliper DT 400 FEA ... ST

spring activated – electrohydraulically released  
 Drum Brake according to DIN 15 435



Features	Code
Brake Caliper	D
Drum Brake	T
Frame size 400	400
Spring activated	F
Electrohydraulically released	E
Automatic adjustment to accommodate friction block wear	A
Thrusters 452, 453 or 455 are available	452 453 455
Material: steel	ST

### Example for ordering

Brake Caliper DT 400 FEA, thruster 453, material: steel

DT 400 FEA - 453 - ST

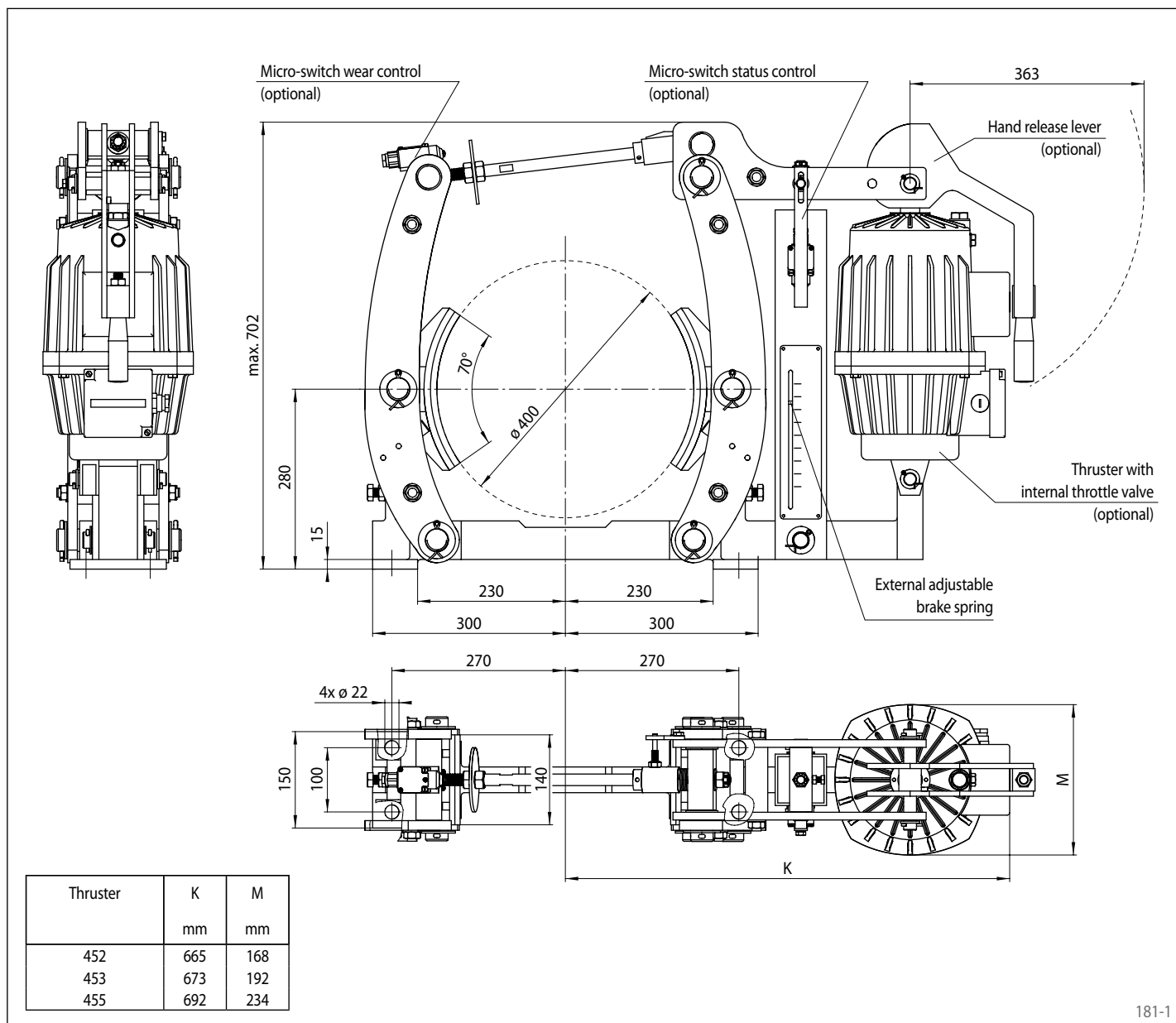
## Technical Data

	Brake Caliper DT 400 FEA ... ST		
	with thruster 452	with thruster 453	with thruster 455
Brake drum diameter	Braking torque	Braking torque	Braking torque
mm	Nm	Nm	Nm
400	680	1300	2500
Clamping force	4200 N	8100 N	15600 N
Braking torque adjustable	20 - 100%	20 - 100%	20 - 100%
Nominal power	180 W	240 W	370 W
Oil volume	2,5 l	3,5 l	4,5 l
Voltage	230/400 V	230/400 V	230/400 V
Weight	98 kg	100 kg	106 kg

The braking torques shown in the table are based on a theoretical friction coefficient of 0,4.

# Brake Caliper DT 400 FEA ... ST

spring activated – electrohydraulically released  
Drum Brake according to DIN 15 435



## Options

- Micro-switch wear control
- Micro-switch status control
- Hand release lever
- Thruster with internal throttle valve
- Thruster in heat resistant design
- Corrosion protected design
- Wider brake shoes and brake drums